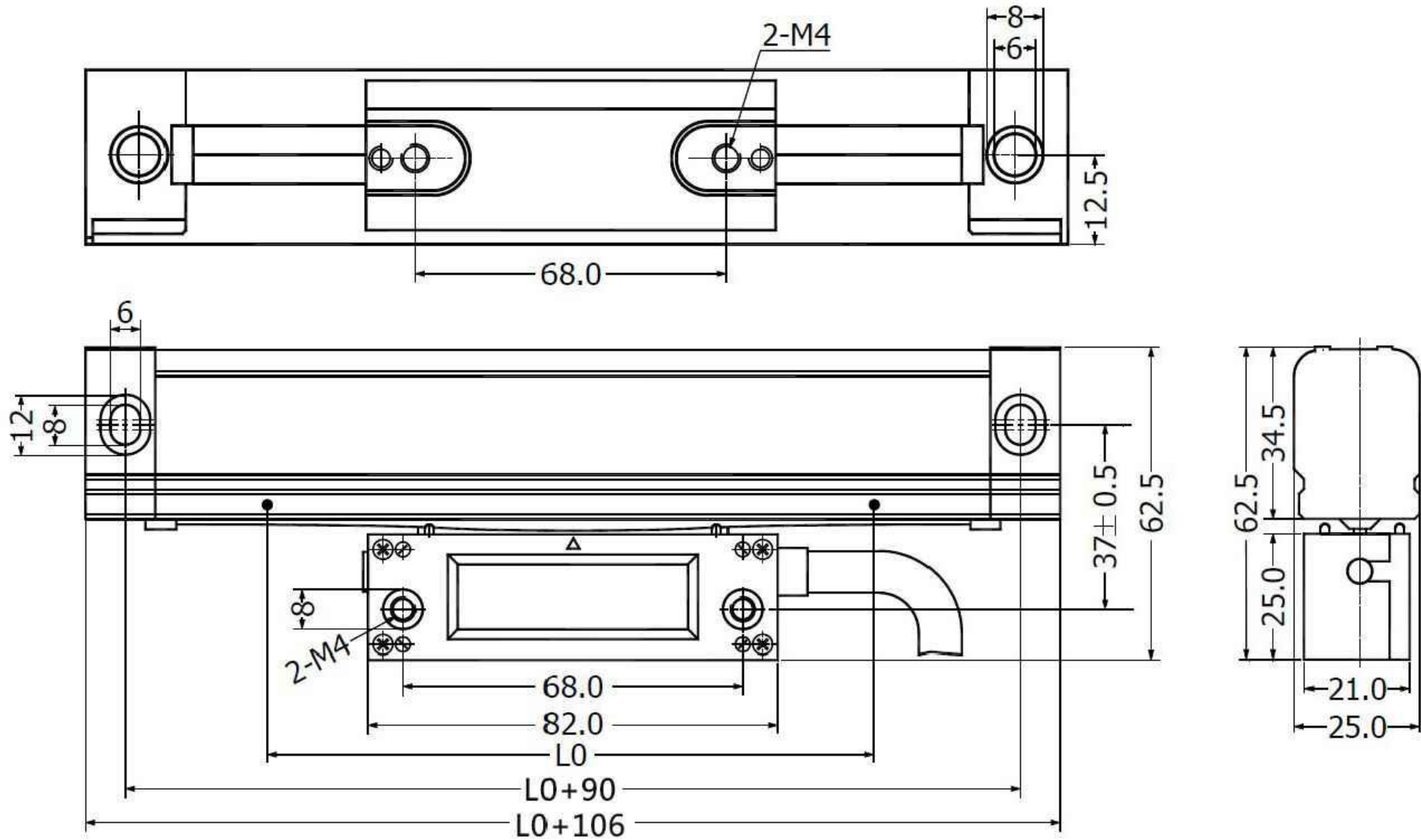


# MeasumaX

## MX-300 Series - LINEAR SCALES



$L_0$  = Effective measuring length of scale